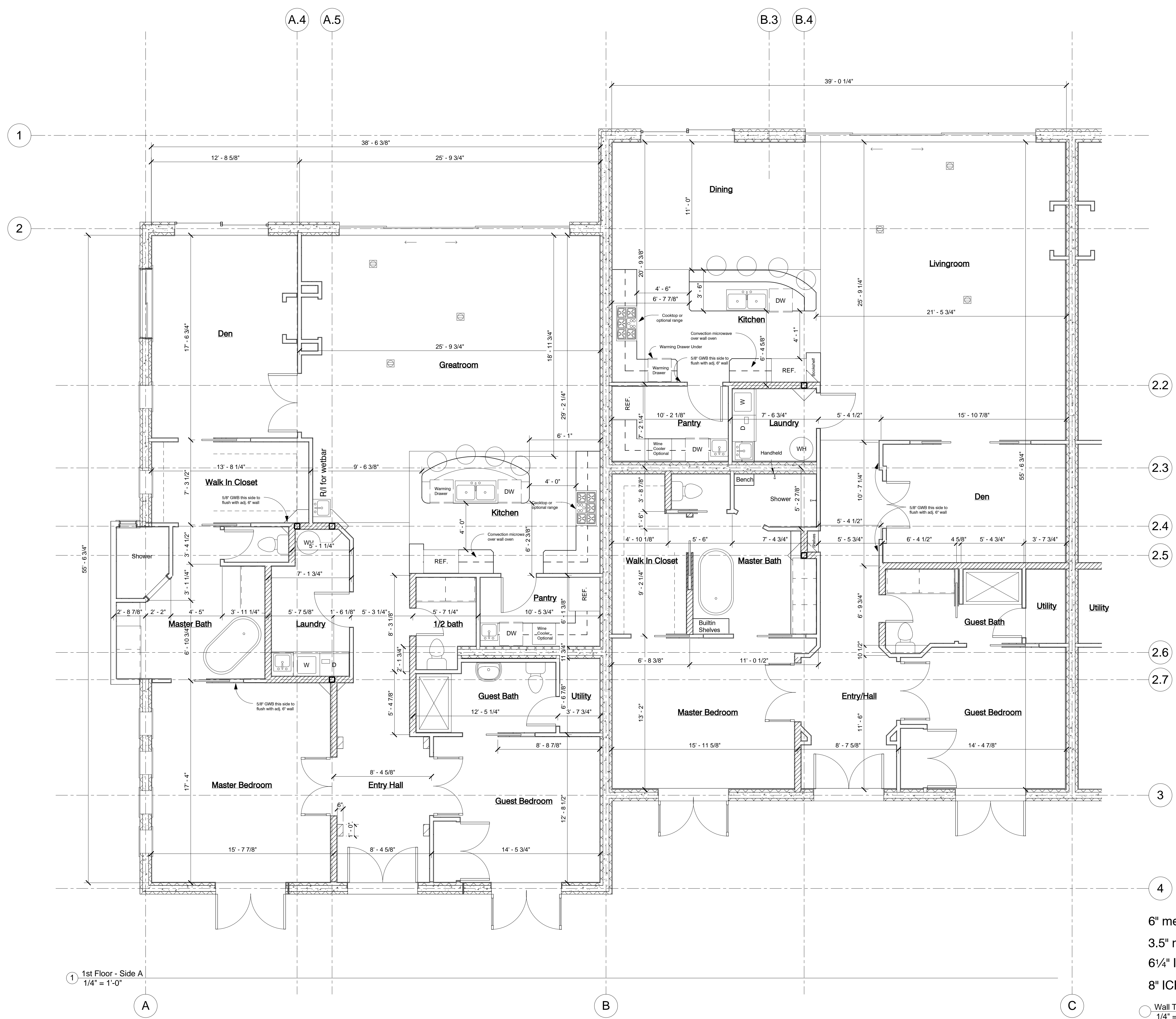


Revision	By

1st Floor - Side A
Edgewater Place Condominium
476 S. State St.

Scale: 1/4" = 1'-0"
 Date: 4/11/2008
 Job No: 07-0202
 Drawn By: EJP
 11x17 Not To Scale

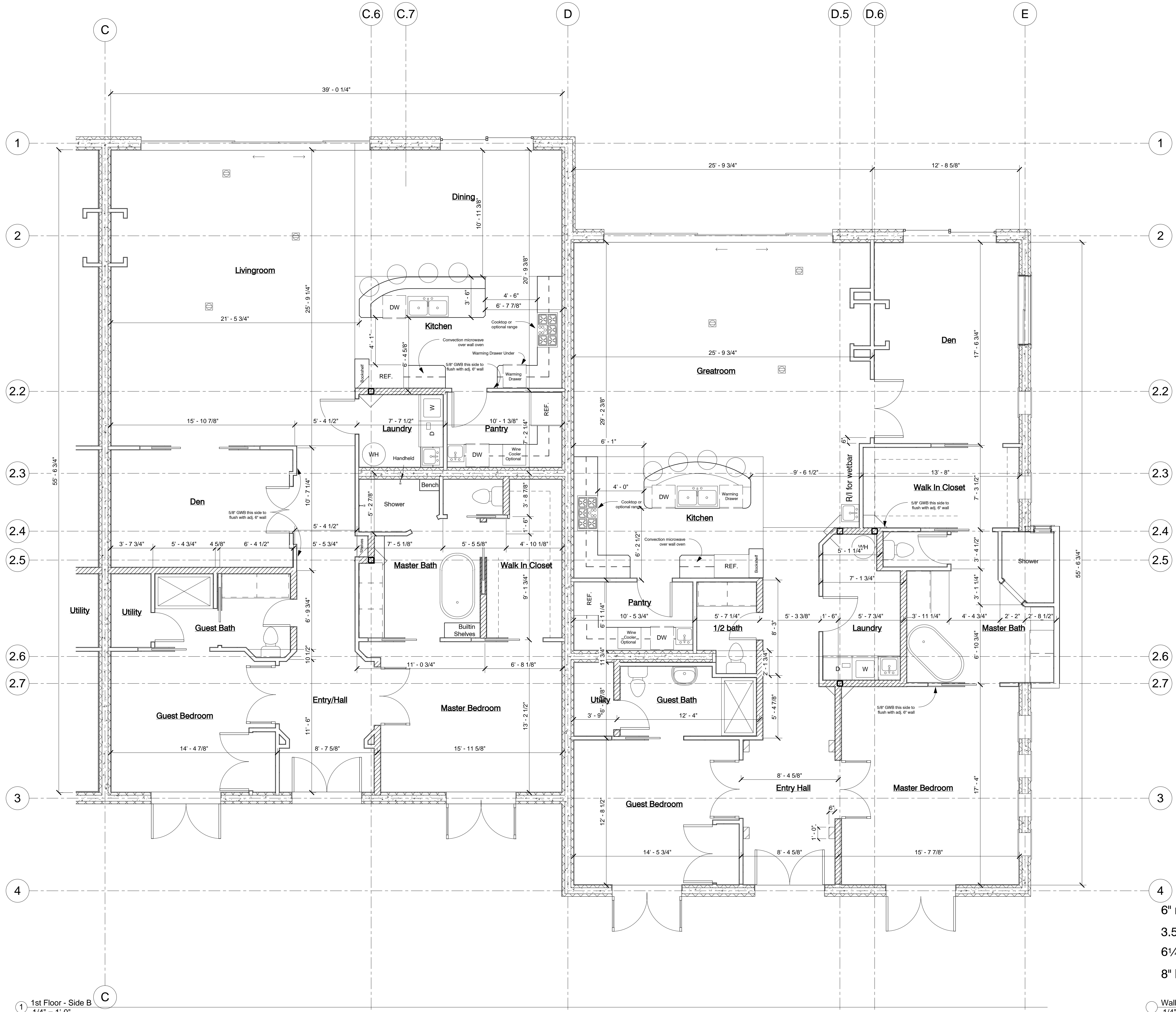


1 1st Floor - Side A
 1/4" = 1'-0"

Note: All ICF dimensions are to face of foam

- 6" metal stud 6" Metal stud w/ 5/8" GWS both sides. (Typical)
- 3.5" metal stud 3.5" Metal stud w/ 1/2" GWS both sides. (Typical)
- 6 1/4" ICF 6.25" Concrete w/ 2.75" foam and 5/8" GWS both sides.
- 8" ICF 8" Concrete w/ 2.75" foam and 5/8" GWS both sides.
- Wall Types 1/4" = 1'-0"

Revision	By



1 1st Floor - Side B
1/4" = 1'-0"

Note: All ICF dimensions are to face of foam

- 6" metal stud 6" Metal stud w/ 5/8" GWB both sides. (Typical)
- 3.5" metal stud 3.5" Metal stud w/ 1/2" GWB both sides. (Typical)
- 6 1/4" ICF 6.25" Concrete w/ 2.75" foam and 5/8" GWB both sides.
- 8" ICF 8" Concrete w/ 2.75" foam and 5/8" GWB both sides.
- Wall Types
1/4" = 1'-0"

1st Floor - Side B
 Edgewater Place Condominium
 476 S. State St.

Scale:	1/4" = 1'-0"
Date:	4/11/2008
Job No:	07-0202
Drawn By:	EJP
11x17 Not To Scale	
A1.1	

Revision	By

- 6" metal stud 6" Metal stud (w/ 5/8" GWB both sides, Typical)
 - 3.5" metal stud 3.5" Metal stud (w/ 1/2" GWB both sides, Typical)
 - 6 1/4" ICF 6.25" Concrete (w/ 2.75" foam and 5/8" GWB both sides)
 - 8" ICF 8" Concrete (w/ 2.75" foam and 5/8" GWB both sides)
- Wall Types
1/4" = 1'-0"



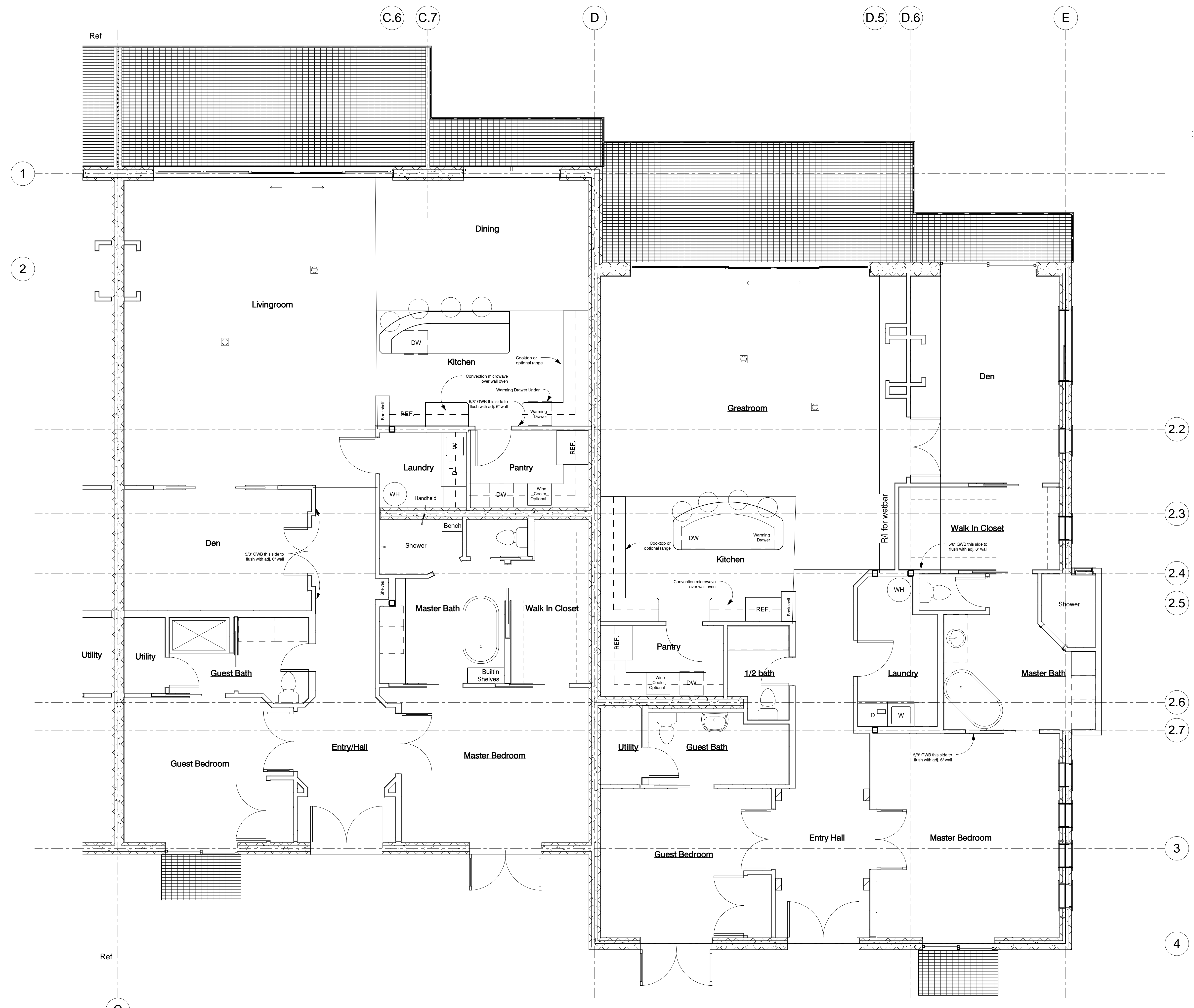
2nd Floor - Side A
Edgewater Place Condominium
476 S. State St.

① 2nd Floor - Side A
1/4" = 1'-0"

Scale: 1/4" = 1'-0"
Date: 4/11/2008
Job No: 07-0202
Drawn By: EJP
11x17 Not To Scale

Revision	By

- 6" metal stud 6" Metal stud w/ 5/8" GWB both sides. (Typical)
 - 3.5" metal stud 3.5" Metal stud w/ 1/2" GWB both sides. (Typical)
 - 6 1/4" ICF 6.25" Concrete w/ 2.75" foam and 5/8" GWB both sides.
 - 8" ICF 8" Concrete w/ 2.75" foam and 5/8" GWB both sides.
- Wall Types
1/4" = 1'-0"



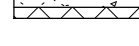
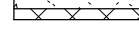


① 2nd Floor - Side B
1/4" = 1'-0"

2nd Floor - Side B
Edgewater Place Condominium
476 S. State St.

Scale:	1/4" = 1'-0"
Date:	4/11/2008
Job No:	07-0202
Drawn By:	EJP
11x17 Not To Scale	

Revision	By

- 6" metal stud  6" Metal stud /w 5/8" GWB both sides. (Typical)
- 3.5" metal stud  3.5" Metal stud /w 1/2" GWB both sides. (Typical)
- 6 1/4" ICF  6.25" Concrete /w 2.75" foam and 5/8" GWB both sides.
- 8" ICF  8" Concrete /w 2.75" foam and 5/8" GWB both sides.

1/4" = 1'-0"



1 3rd Floor - Side A
1/4" = 1'-0"

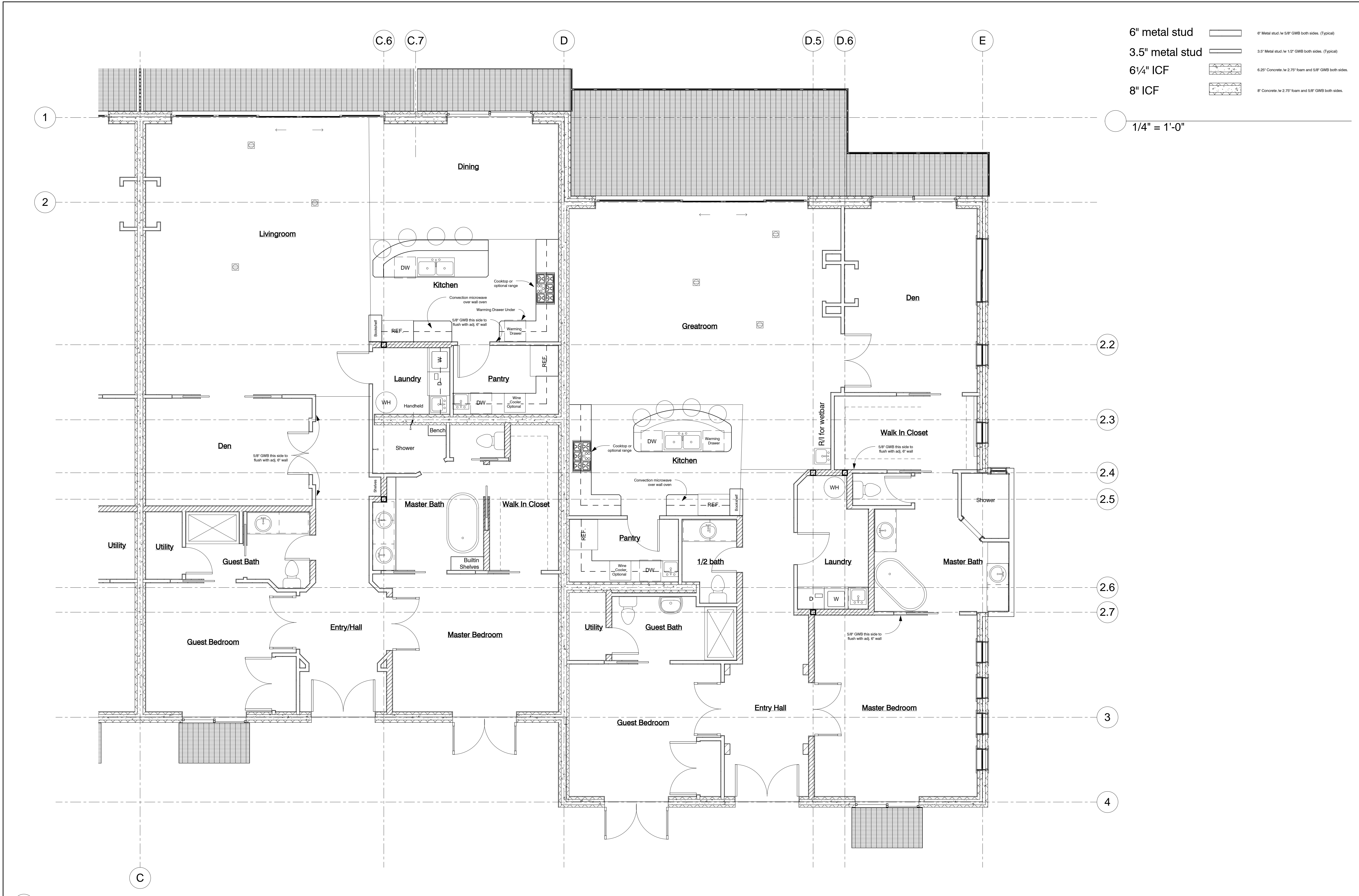
3rd Floor - Side A
 Edgewater Place Condominium
 476 S. State St.

Scale: 1/4" = 1'-0"
 Date: 4/11/2008
 Job No: 07-0202
 Drawn By: EJP
 11x17 Not To Scale

Revision	By

- 6" metal stud 6" Metal stud /w 5/8" GWB both sides. (Typical)
- 3.5" metal stud 3.5" Metal stud /w 1/2" GWB both sides. (Typical)
- 6 1/4" ICF 6.25" Concrete /w 2.75" foam and 5/8" GWB both sides.
- 8" ICF 8" Concrete /w 2.75" foam and 5/8" GWB both sides.

1/4" = 1'-0"

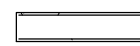
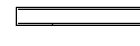
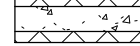




1 1/4" = 1'-0"

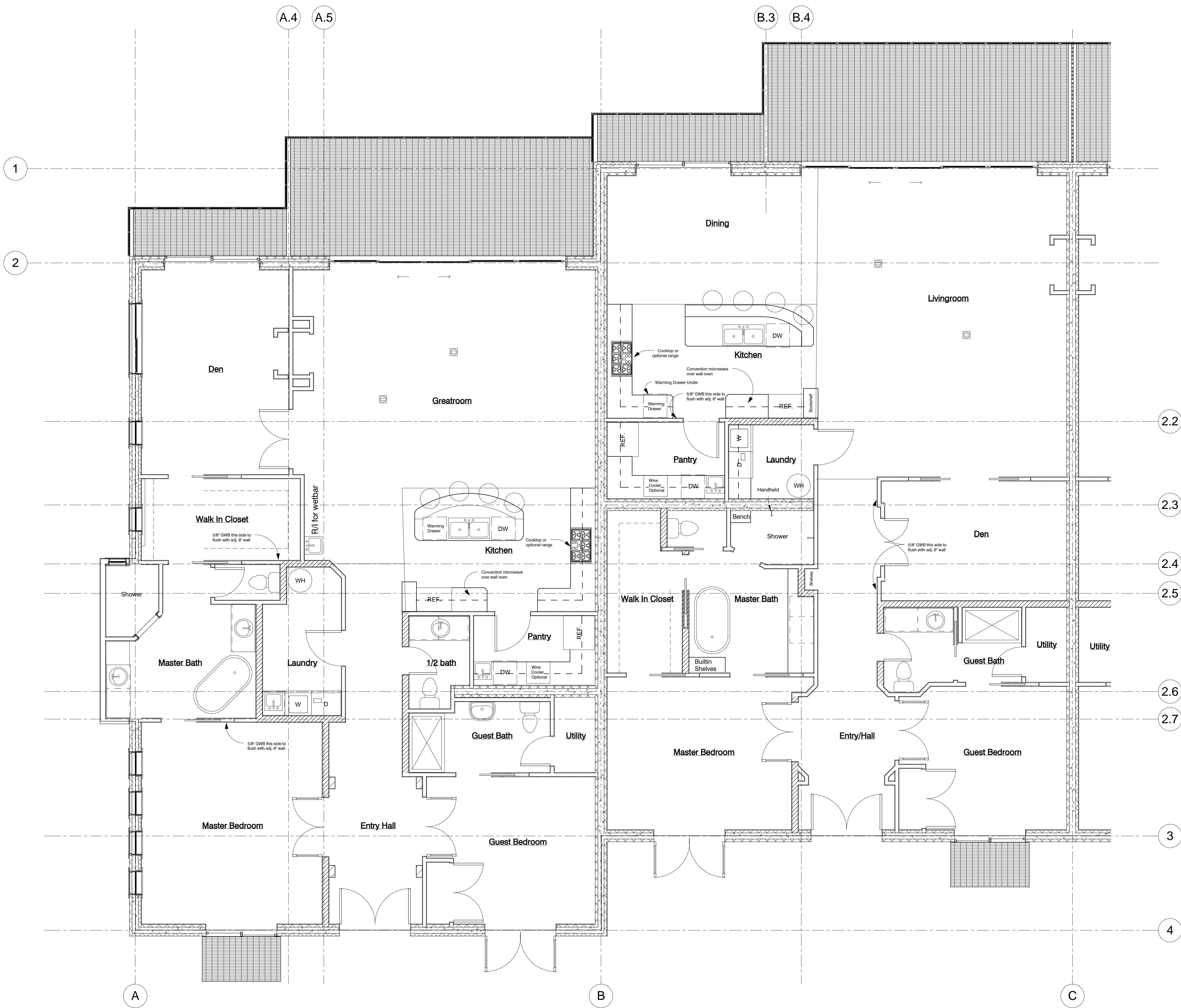
3rd Floor - Side B
Edgewater Place Condominium
476 S. State St.

Scale: 1/4" = 1'-0"
 Date: 4/11/2008
 Job No: 07-0202
 Drawn By: EJP
 11x17 Not To Scale

Revision	By

6" metal stud  6" Metal stud /w 5/8" GWB both sides. (Typical)
 3.5" metal stud  3.5" Metal stud /w 1/2" GWB both sides. (Typical)
 6 1/4" ICF  6.25" Concrete /w 2.75" foam and 5/8" GWB both sides.
 8" ICF  8" Concrete /w 2.75" foam and 5/8" GWB both sides.

 1/4" = 1'-0"



1 4th Floor - Side A
 1/4" = 1'-0"

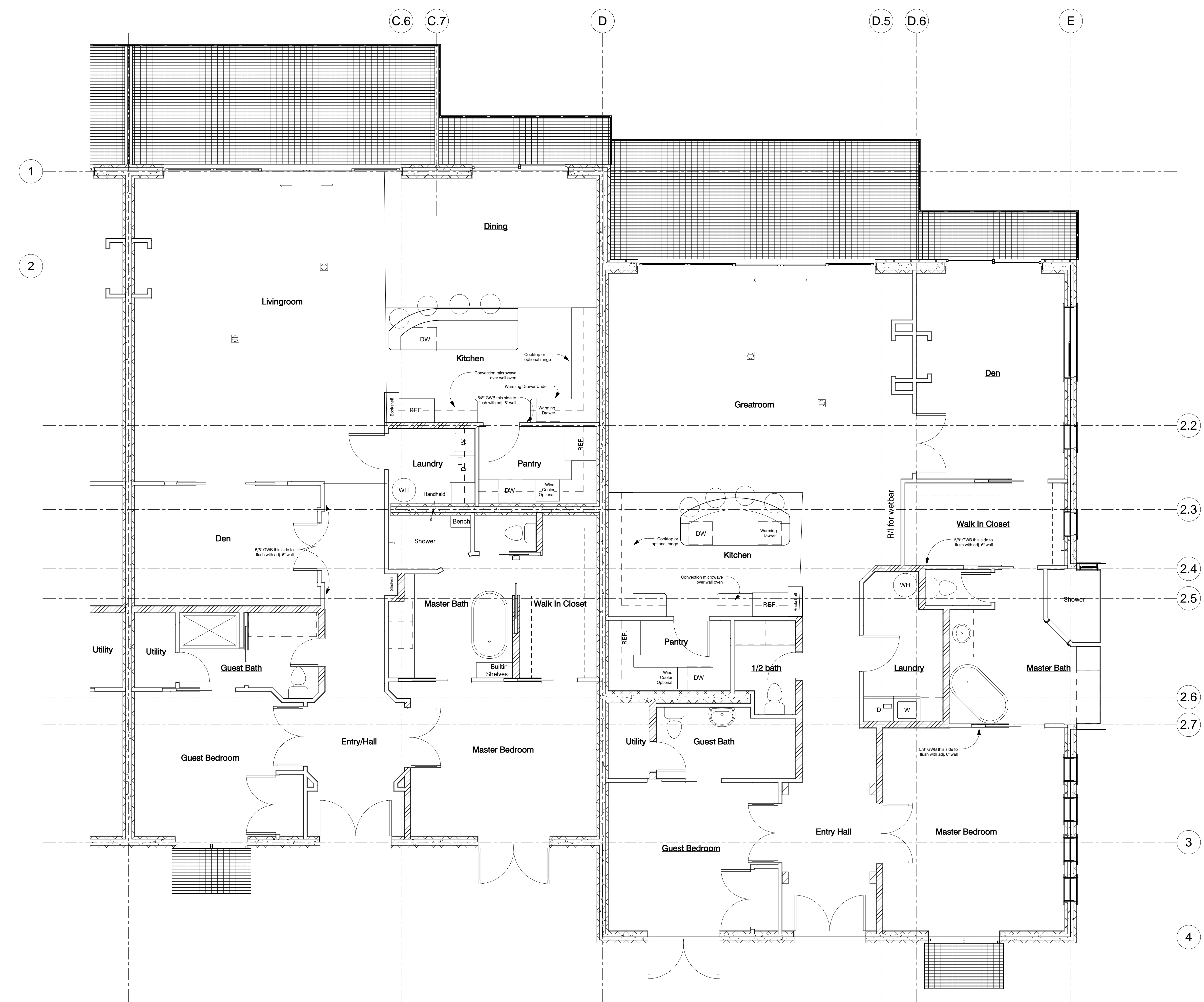
4th Floor - Side A
 Edgewater Place Condominium
 476 S. State St.

Scale: 1/4" = 1'-0"
 Date: 4/11/2008
 Job No: 07-0202
 Drawn By: EJP
 11x17 Not To Scale

Revision	By

- 6" metal stud 6" Metal stud /w 5/8" GWB both sides. (Typical)
- 3.5" metal stud 3.5" Metal stud /w 1/2" GWB both sides. (Typical)
- 6 1/4" ICF 6.25" Concrete /w 2.75" foam and 5/8" GWB both sides.
- 8" ICF 8" Concrete /w 2.75" foam and 5/8" GWB both sides.

1/4" = 1'-0"



1 4th Floor - Side B
1/4" = 1'-0"

4th Floor - Side B
Edgewater Place Condominium
476 S. State St.

Scale: 1/4" = 1'-0"
 Date: 4/11/2008
 Job No: 07-0202
 Drawn By: EJP
 11x17 Not To Scale